



OPERON[®] D Series Surgical Tables

Care without compromise



The evolution of a superior surgical table: The **OPERON® D** Series.

BERCHTOLD has long stood at the forefront of surgical table design and innovation — and that leadership continues with OPERON, providing functionality in conjunction with the latest industry-leading technology. The new OPERON D Series surgical table carries on the brand's established legacy by delivering excellent value without compromise.

OPERON's 21" wide patient surface with its maximum patient weight capacity of 1,000 lbs through all articulations provides a superior platform for bariatric specialties — and the weight capacity of the D Series does not change when you tilt or slide the table top. The D Series is also a highly effective platform for imaging. The 18.3" wide integrated X-ray cassette tunnel eliminates the need for separate X-ray tops, while the 16.9" longitudinal slide minimizes the need to reverse the patient for imaging access. This feature maximizes patient safety and user convenience.

The ergonomically designed, intuitive hand pendant provides simple yet effective control of the table functions, while the advanced electro-hydraulic drive system allows for excellent ranges of articulation, and the modular four section table top with detachable sections provide exceptional flexibility in patient positioning.

BERCHTOLD also offers a full line of compatible accessories to adapt your table for every discipline while delivering the versatility and productivity your surgical suite demands.



The right foundation makes all the difference.

The OPERON D Series — manufactured in Tuttlingen, Germany and distributed in the USA — is available with a selection of three base tables that feature a variety of heights, adjustment ranges and table top alternatives. All models are compatible with the full line of OPERON accessories to customize your table.

All OPERON models include:

- Intuitive, ergonomically designed hand pendant with backlit keypad for complete control before, during and after the procedure
- Self-compensating hydraulic floor locks
- Easy to handle detachable table sections
- Selection of fluid and stain resistant pad solutions to provide comfortable support for patients and helps relieve pressure from high-risk zones of the body

D860

The D860 provides the best in class height adjustment range, coupled with a longitudinal slide of 16.9". With a minimum height of 22.6" and a maximum height of 46.4", the D860 easily adjusts to almost any working desired level. No matter the surgical position, this table is designed to easily meet the requirement.

- Greatest vertical range on the market: 22.6" min – 46.4" max
- Carbon fiber and sliding table top standard
- Back-up system: foot pump and an extra emergency hand pendant stored on the lift column
- Optional InstaDrive™ - Self-propelled drive system that assists in moving the OPERON D860 within the surgical suite or from room to room
- Lift weight capacity: 1,250 lbs



D830

The D830 has a height adjustment range of 17.3" with a motordriven longitudinal slide of 16.9". Intraoperative imaging, precise positioning under the C-arm and maximum flexibility are all possible with this versatile configuration, designed for numerous surgical disciplines as well as for outpatient procedures.

- Vertical range: 25" min – 42.3" max
- Phenolic and sliding table top standard, carbon fiber optional
- Optional InstaDrive
- Back-up system: foot pump and emergency integrated keypad stored on the lift column



D770

The D770 offers an economically attractive alternative within the D Series, delivering the same technical features as the D830 without the longitudinal slide. All common positions for general everyday surgery can be achieved with ease.

- Vertical range: 25" min – 42.3" max
- Phenolic fixed table top
- Back-up system: foot pump and emergency integrated keypad stored on the lift column



One surgical table solution that meets a variety of needs.

With the OPERON D Series, BERCHTOLD offers operating tables that deliver on the increasing demand for more flexibility — all while providing for an optimal range of applications with its improved mobility and modular design.

Load capacity

The D Series offers total support for a range of patient weights, with an increased centered lift capacity of 1,250 lbs* and full articulation of 1,000 lbs.

Durability

Both the tremendous durability and the versatile positioning functionality of the D Series address special requirements such as those presented by bariatric patients. The tables are also designed with hygiene in mind, including quality materials and surfaces that stand up to repeated disinfection and wipe down.

Intraoperative imaging

The combination of the high strength, light weight and X-ray transparent carbon fiber table top material, integrated X-ray channel, table top slide and a host of imaging friendly accessories allow the OPERON table line to be an optimum platform for interoperative imaging benefitting both the patient and the surgical team.

Traction drive

The electro-hydraulic InstaDrive and transport bow help ensure easy movement and maneuvering of the table from OR suite to OR suite, minimizing the stress on your staff.

Compatibility through standardization

Standardized OPERON connections between the table's modular sections and a host of integrated accessories allow compatibility through the entire portfolio of tables. This allows you to define your table range from the premium D860 to the value model D770 and still use the same accessories.

Comprehensive selection of accessories

As with all BERCHTOLD products, OPERON offers an extensive range of accessories to optimize the surgical staff's workflow.

* Applies to D860 only

The OPERON D Series represents a new class of surgical tables, delivering on BERCHTOLD's commitment to provide superior technology that improves workflows and offers a lifetime of real value.

Superior Technology

- The widest lateral imaging window (18.3")
- Lowest table height (22.6")
- Multiple therapeutic surface options
- Carbon fiber table surface construction

Improved Ease of Use

- 1,250 lbs of lift capacity and 1,000 lbs of full articulation
- Wide range of positions to provide proper support for a host of different procedures
- Powered drive to increase mobility and maneuverability
- New transport bow to allow more ergonomic control when moving table from room to room
- Intuitive controls, including a newly designed hand pendant
- Enhanced staff and patient safety through improved collision detection and software management

Lifetime Value

- Stainless base option
- Back-up pendant
- Highly configurable to meet a wider range of budgets
- Manual back-up
- Robust pendant design
- Modular construction to allow for the use of today's accessories as well as tomorrow's innovations



SUPERIOR TECHNOLOGY:

Positioning Versatility

The functional design of the OPERON D Series ensures ideal adjustability is built into every model. Industry-leading adjustment ranges allow for gentle patient positioning and safety — no matter the surgical discipline or patient body type. With the D Series, clinical personnel can quickly and easily prepare the surgical environment. This functional design provides improved staff access and adaptability.

ERGONOMIC POSITIONING AND ANESTHESIA ACCESS

Dual articulating headrest



ADAPTABLE TO A WIDE RANGE OF PATIENTS

Patient stats: 6'8", 325 lbs

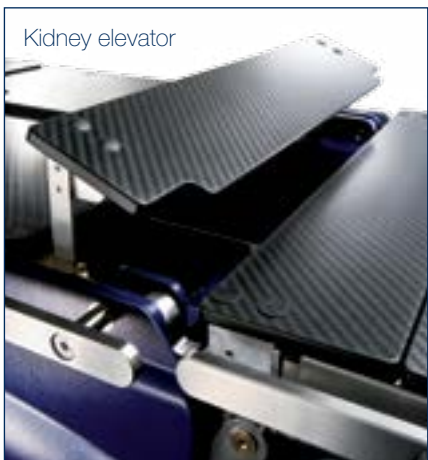


TABLE TOP OPTIONS

Split back



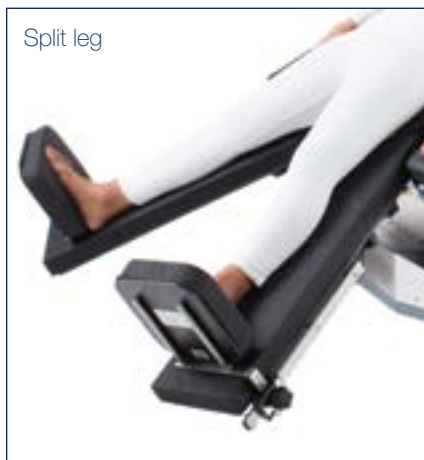
Kidney elevator



Patient stats: 5', 105 lbs



Split leg



SUPERIOR TECHNOLOGY:

Positioning for Surgical Disciplines

General Surgery



Gynecology/Urology



Neurosurgery/Spine



SUPERIOR TECHNOLOGY:

Positioning for Surgical Disciplines

Thoracic/Ophthalmology



Vascular



Bariatric



Orthopedic



Traumatology/Robotics



Spine Frame/Split Legs



SUPERIOR TECHNOLOGY:

Imaging Innovation

The OPERON D Series is designed with brilliant imaging capability in mind, starting with its carbon fiber table top construction — ideal for image clarity and minimizing exposure to patients. The generous 21" wide table top allows for maximum imaging coverage, while its 16.9" longitudinal slide provides superior C-arm access without repositioning or reversing the patient. The built-in X-ray cassette channel eliminates X-ray tops while enhancing both patient safety and user convenience.



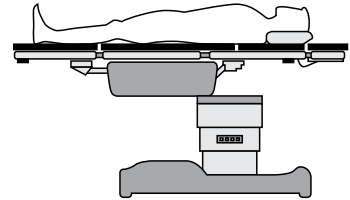
Continuous X-ray cassette channel and carbon fiber table top.

SUPERIOR TECHNOLOGY:

Intraoperative Imaging

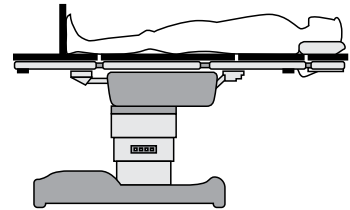
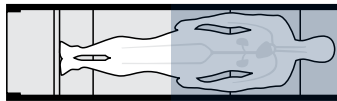
Imaging of lower extremities

44" imaging window with maximum longitudinal slide towards the feet



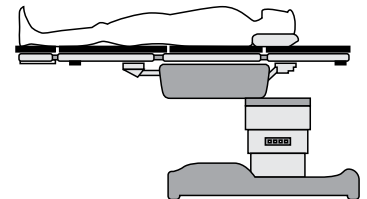
Imaging of upper extremities

40" imaging window with longitudinal slide towards the head



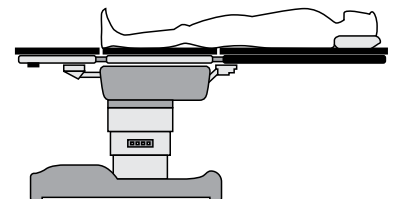
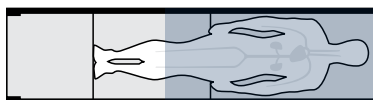
Extended imaging of lower extremities

56" imaging window with longitudinal slide, head rest attached to foot rest



Extended imaging of upper extremities

* 47" imaging window with longitudinal slide towards the head and X-ray



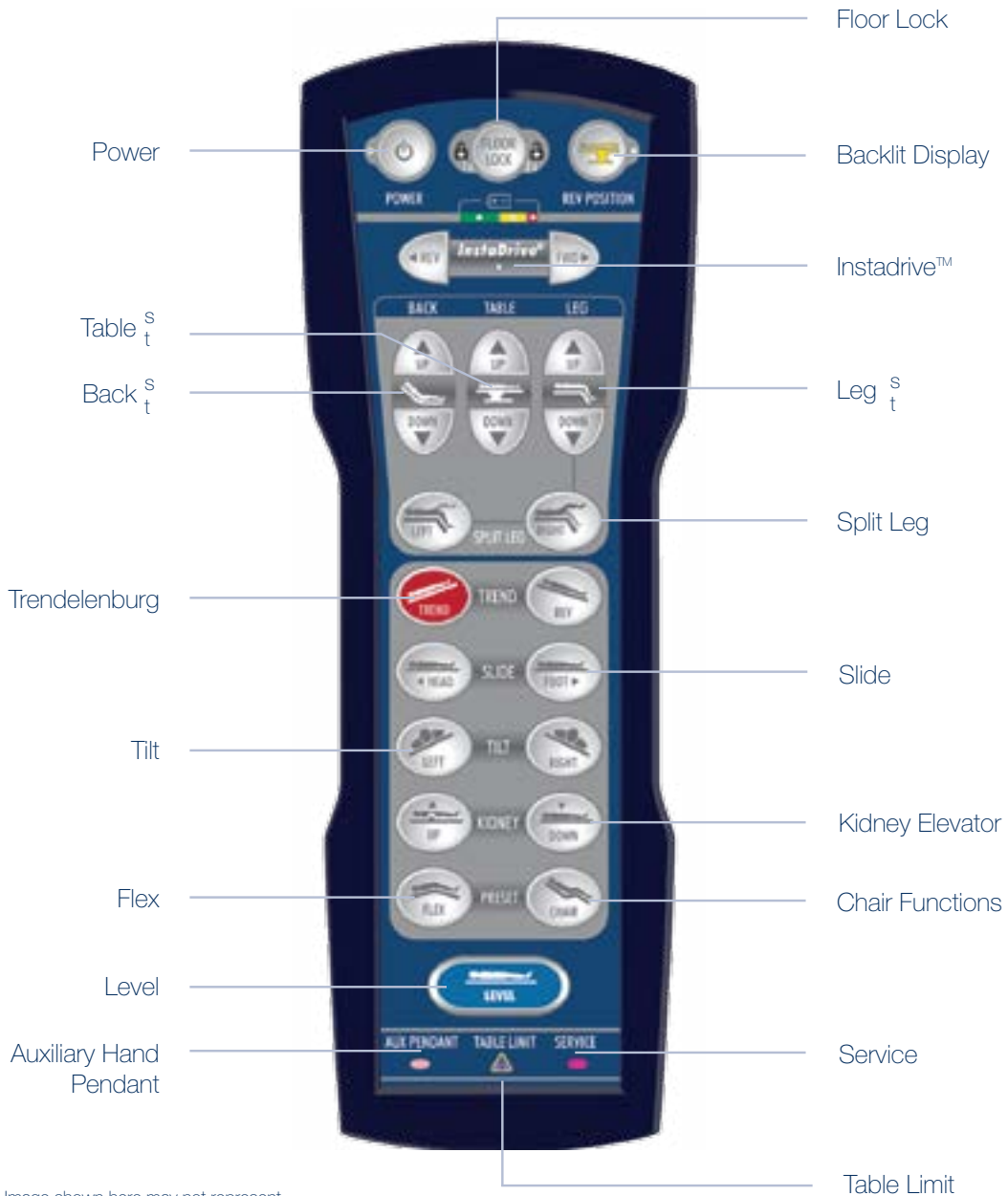
* Shown with 36" vascular extension.

EASE OF USE:

Durable and Intuitive

The Controls

For precise patient positioning at the touch of a button, the OPERON D Series features an intuitive, ergonomically designed hand pendant with a backlit keypad for complete control before, during and after the procedure.



* Image shown here may not represent our most current hand pendant design.

EASE OF USE:

Excellent Mobility and Maneuverability

OPERON D Series features breakthrough mobility and maneuverability innovations that allow the clinical team to configure the operating suite for maximum efficiency. Its modular design is fully adaptable to patients and procedures, ensuring gentle positioning, seamless interaction among surgeons and equipment, and smooth transport that reduces stress on personnel as they move tables from room to room and patients within the surgical suite.

InstaDrive now features a new transport bow, increased power and smoother rolling casters making the experience of moving a robust piece of equipment as stress free as possible.

Improved Patient and Staff Safety at Every Turn

- Collision detection ensures the table avoids damage due to collisions with itself or the floor
- Table recognizes if leg sections and back sections are removed and allows additional range of motion
- Manual backup system with foot pump and separate hand pendant
- Long-lasting batteries to reduce cord clutter on the floor
- LED indicators on hand pendant signal for table movement limit, service, battery life and auxiliary hand pendant
- A variety of patient surfaces are available that contour to the patient's body for pressure redistribution
 - Ultrasonically welded seams prevent the ingress of fluids
- Designed to accommodate a patient weight up to 1,250 lbs for lifting and lowering positioning adjustments
- Ensures superior positioning for bariatric patients regardless of slide position
- Electro-hydraulic drives provide smooth, safe movement



Transport bow adds additional control and maneuverability



InstaDrive™ automates movement and designed to improve patient and staff safety



Collision protection of all electro-hydraulically driven positioning surfaces



Self compensating floor locks



Easily removable latching mechanism

LIFETIME VALUE:

Built-In Versatility

Powerful range of motion

The OPERON D860 Series features a low minimum height of 22.6" and a maximum height of 46.4". It is designed to accommodate standing or sitting positions for the surgeon, and its motorized longitudinal table top slide up to 16.9" allows for easy C-arm access.

The D Series also features an adjustable kidney elevator up to 3" in height and a maximum tilt of +/- 20°.

Hospital-ready functionality

Constructed with high-quality materials, the futureproof OPERON D Series exemplifies genuine BERCHTOLD durability. With self-compensating hydraulic floor locks for extra stability, as well as design and construction for today's most demanding surgical environments, the OPERON D Series adds significant value for years to come.

Modular table top

All sections of the D Series table top are able to be detached to allow you to adapt to the patient body size for positioning and anesthesia access. The table can be configured with different length and style leg sections, back sections and even with dual motion in the head section for excellent air way access.

Optimal positioning for surgical access

Integrated accessories such as vascular extensions, spine frame and orthopedic extensions provide efficient patient positioning and surgical access without the need for specialty tables.

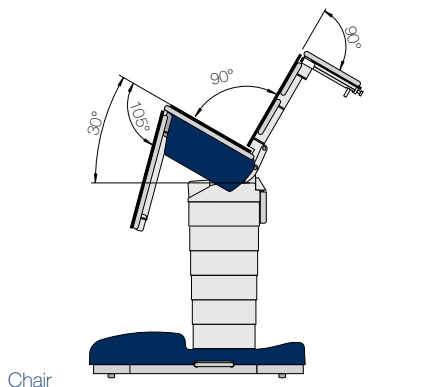


LIFETIME VALUE:

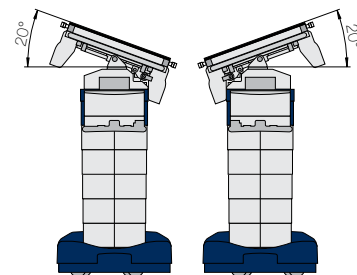
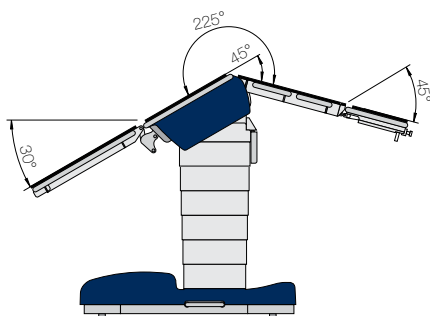
Technical Data

D SERIES SPECIFICATIONS	D860	D830	D770
Patient weight - lift (normal orientation)	1,250 lbs	1,000 lbs	1,000 lbs
Patient weight - full articulation	1,000 lbs for normal orientation / 500 lbs for reverse orientation		
Longitudinal slide	16.9"	16.9"	N/A
Height Range	22.6" - 46.4"	25" - 42.3"	25" - 42.3"
Trendelenburg/reverse Trendelenburg	30°/30°		
Tilt left/right	20°/20°		
Back up/down	90°/-45°		
Leg up/down	30°/-105°		
Split leg up/down	30°/-90°		
Head rest up/down	45°/-90°		
Kidney elevator	3"		
Flex (auto position)	225°		
Chair (auto position)	Back 90° / Trendelenburg 30° / Leg plate -105°		
Table length ¹ (inc. head section)	82.6"/78.6"		
Table top width (inc. side rails)	21" (23")		
Lateral imaging window	18.3"		
Imaging length full slide to head	40"		
Imaging length full slide to leg ¹	40"/44"		
X-ray channel	Full length of table		
Manual backup system	Integrated		

1 - Dependent upon selected configuration



Chair



Note: Drawings are based on the example of the OPERON D860.

A commitment to customized solutions.

BERCHTOLD is once again raising the bar with the innovative OPERON D Series — another example of German-engineered products designed with today's surgical environments in mind.

BERCHTOLD is committed to guiding equipment planners, OR directors, and executive and clinical personnel through the complete room design process, from concept to implementation. Through our partnerships with top hospitals, we're helping develop the next generation of custom clinical solutions — and as always, our experts stand behind every project with world-class support and a full array of service plans through BERCHTOLD PINNACLE Services™.



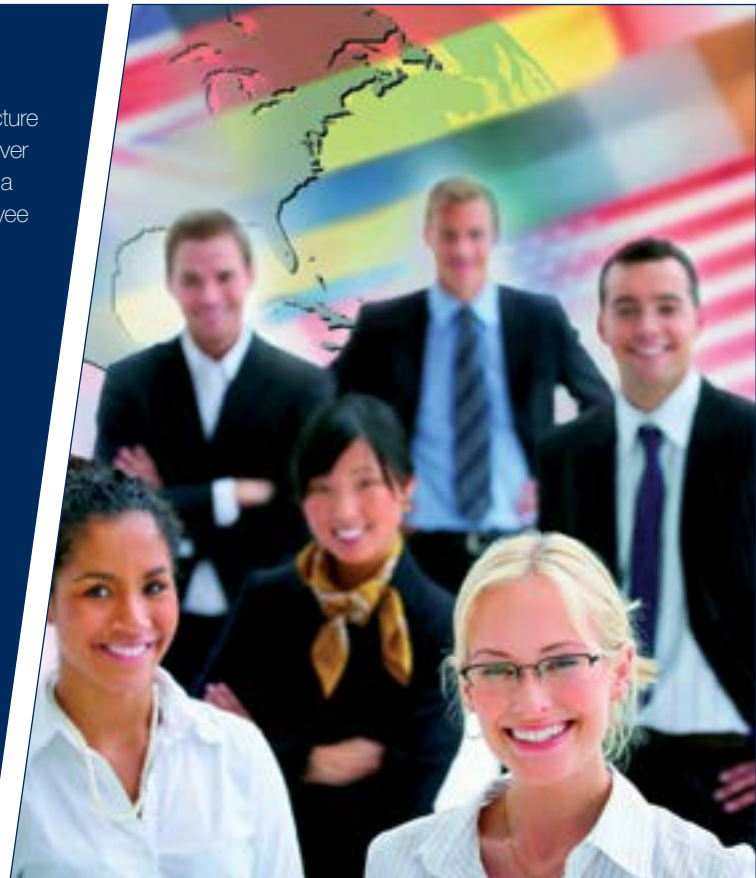


For over 90 years, BERCHTOLD has been a world leader in the design and manufacture of quality medical equipment. With our focus on improving patient outcomes, we deliver excellent products, experienced planning and project management and service with a personal touch. We measure our success by the quality of our customer and employee relationships.

Our products and services include:

- CHROMOPHARE® surgical and examination lights
- ChromoVision® video and camera systems
- ChromoView® monitor arms
- TELETOM® equipment management systems
- OPERON® surgical tables including a full range of accessories
- TABLEGARD® Patient Care System
- SUPERSUITE® custom clinical environments
- ByDesign™ clinical room design software
- Design, consulting, project management and customer support
- Factory-trained service and installation support
- IntegralMount™ construction mounting solution

We invite your inquiry and the next opportunity to assist in the planning, design and installation of your next clinical environment.



BERCHTOLD Corporation
1950 Hanahan Road
Charleston, South Carolina 29406
www.berchtoldusa.com
800.243.5135

STRYKER
1410 Lakeside Parkway, #100
Flower Mound, Texas 75028
www.stryker.com
BERCHTOLD is now a part of STRYKER.
If you have any questions, please
call 1.866.726.3705.